

PRODUCT DATA SHEET

The MPT Roof is a tower-based structure with a pitched roof, a design which guarantees optimum strength. Primarily configured from standard trusses, the MPT Roof is available in four different sizes. However, the unrivalled flexibility of the system affords nearly 40 calculated building varieties or setup possibilities for your MPT Roof.

At ProlyteSystems, we are aware that every season and every event brings different demands, and accordingly we have designed the MPT Roof to accommodate an extraordinary range of applications

Basic trussing

Tower	MPT masts system H30V truss
Grid	H30D truss H40V truss

INCLUDING

- Tension gear and steel wires
- Structural report

Roof structure

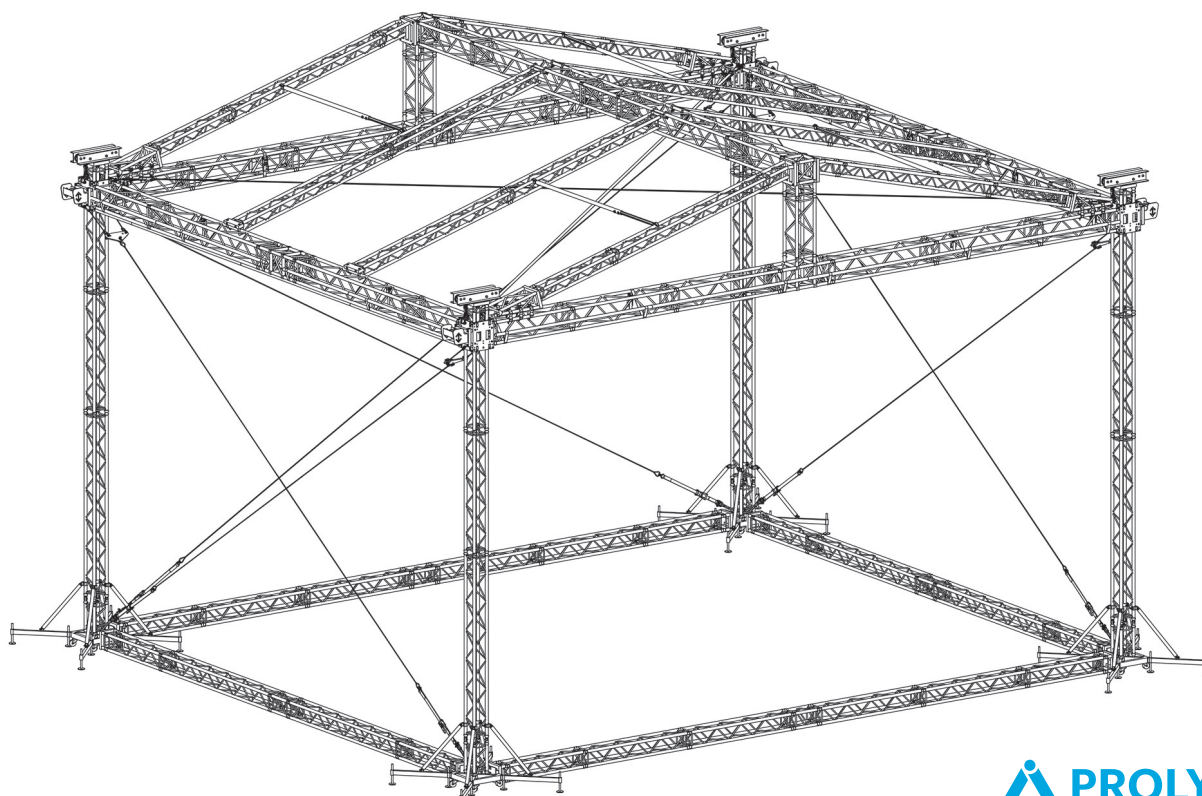
Main grid	H30D and H40V truss
Towers	4 x MPT-tower, mast sections of H30V truss

Technical specifications

Dimensions	12x10m, 10x8m (39'4" x 32'9"), (32'9" x 26'3")
Loading capacity (UDL)	12 x 10 m approx. 3950kg 10 x 8 m approx. 4500kg
Total weight	12 x 10 m approx. 2400kg 10 x 8 m approx. 2100kg
Transportation volume	12 x 10 m approx. 40m ³ 10 x 8 m approx. 32m ³
Max. wind speed	28,4 m/s, 63,3 mph

Options

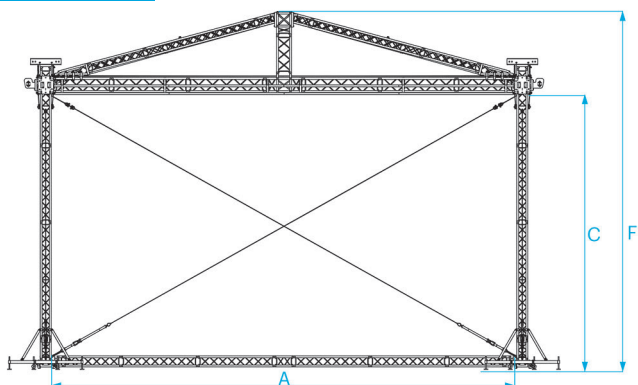
Canopy	Side, back and top	
Canopy colour	Standard: outside grey, inside black (other colours possible)	
Soundwings	Optional (yes, 1000kg)	
Ballast	Several possibilities on request depending on construction	
Staging	Prolyte stage elements, EasyFrame B or Pro- beam combined with a scaffolding stage	
Cantilever	yes	
ProLyft hoist (12x10 MPT roof without sound-wings) and accessories	4x PAE-1000DC-0020 4x PAE-A-FC1000 1x PLA-33-20 2x PLA-30-10 1x PAE-C4DC-10	1x PLA-41-001 4x PAE-A-50-010 2x PLA-30-20 1x PLA-34-02
Prolyft hoist (12x10 MPT roof with sound-wings) and accessories	6x PAE-1000DC-0020 6x PAE-A-FC1000 2x PLA-33-20 2x PLA-30-10 1x PAE-C8DC-10	1x PLA-41-001 4x PAE-A-50-010 2x PLA-30-20 2x PLA-34-02



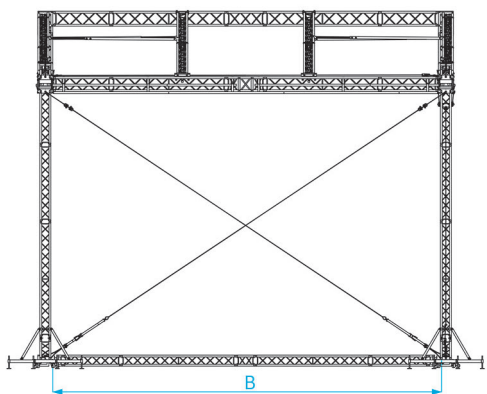
MPT ROOF 12X10M



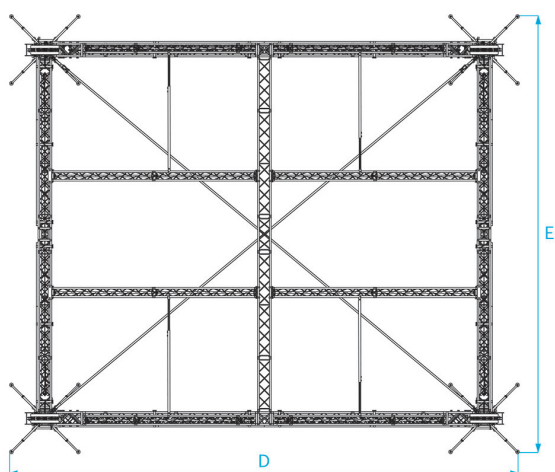
Front view



Side view



Top view



MPT ROOF SYSTEM

Inside

Overall

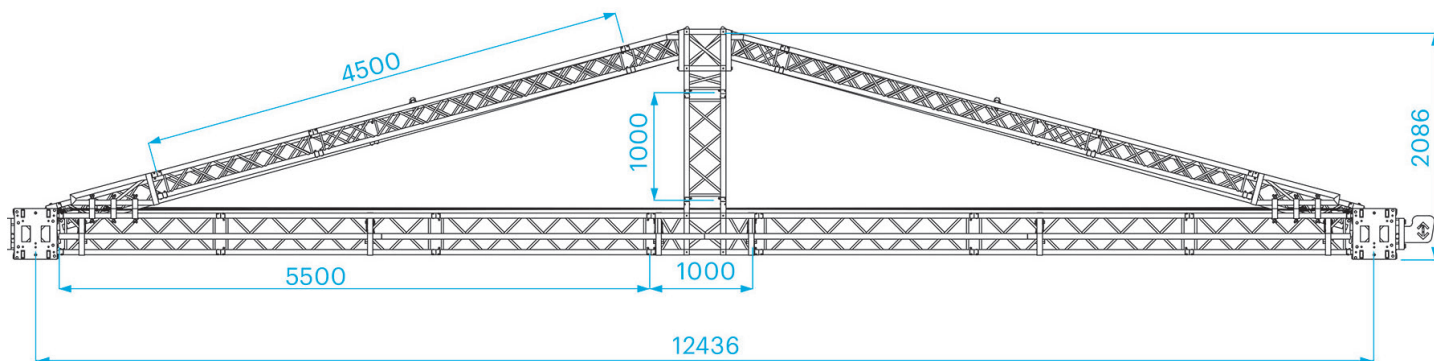
Stage measurements

		A		B		C		D		E		F	
12 x 10 m	39'4" x 32'9"	12,15 m	39'86"	10,15 m	33'30"	7,21 m	23'65"	12,72 m	41'73"	10,72 m	35'17"	9,35 m	30'67"

MPT ROOF 12X10M



Top view



all measurements in mm

